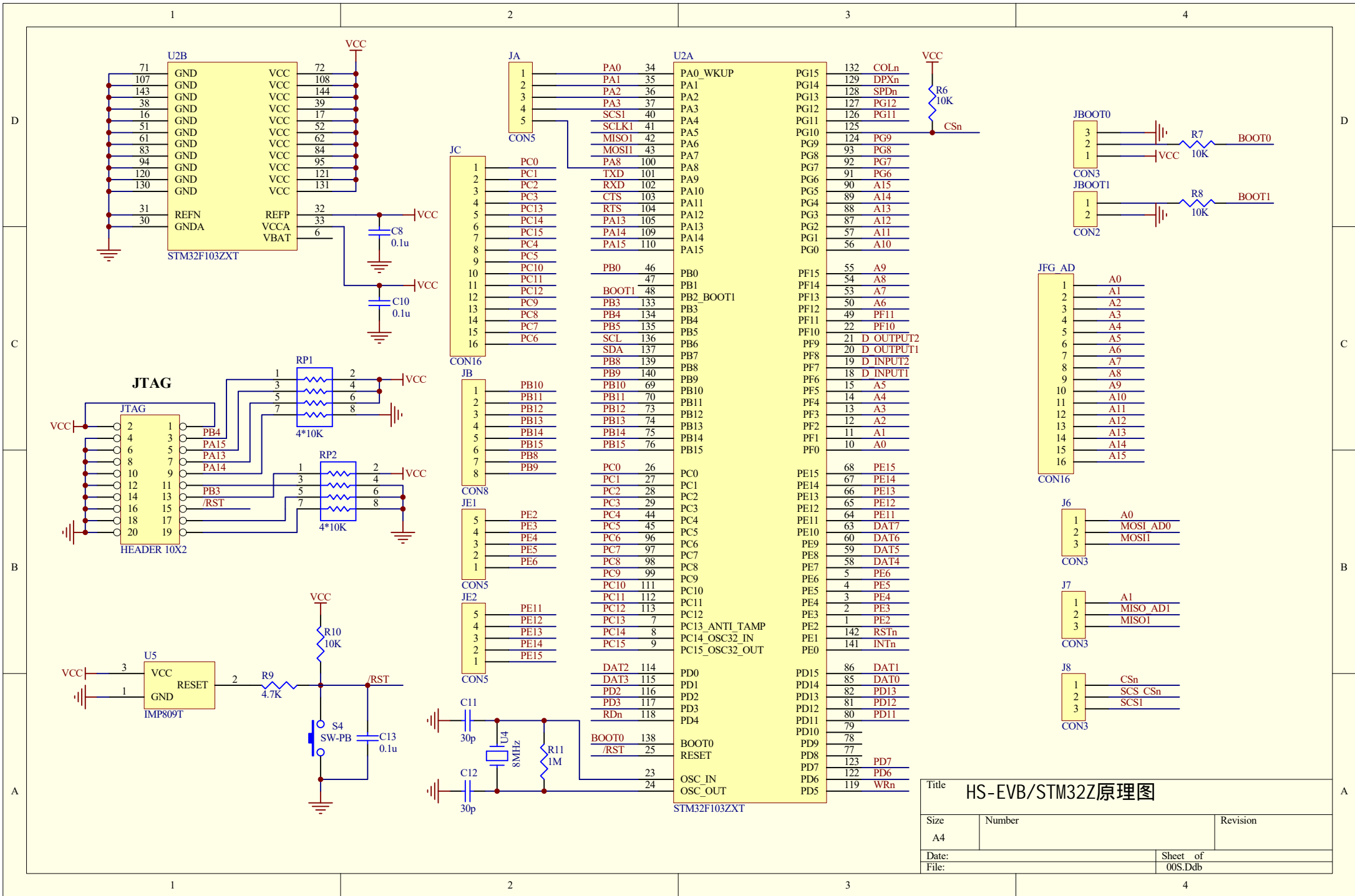


Title		
HS-EVB/STM32Z原理图		
Size	Number	Revision
A4		
Date:	Sheet of	
File:	Drawn By:	



Title			HS-EVB/STM32Z原理图		
Size	Number	Revision			
A4					
Date:		Sheet of			
File:		00S.Ddb			