

FEATURES

- Single port Tab-Down with internal magnetics for 1000 Base-TX
- 350 μ H minimum OCL with 8mA bias current
- Internal magnetics options available
- Minimum 1500Vrms isolation



ELECTRICAL SPECIFICATIONS @25°C -Operating temperature 0°C TO 70°C

Part Number	Insertion Loss (dB MAX.)	Return Loss (dB MIN @100 Ω)				Differential to Common Mode Rejection (dB MIN)			Cross talk (dB MIN)			Hipot (V _{RMS} min)
		0.3-100MHz	1-30 MHz	40 MHz	50 MHz	60-80 MHz	30 MHz	60 MHz	100 MHz	30 MHz	60 MHz	
48F-01GYD5	-1.2	-16	-13.5	-11.5	-10	-35	-32	-30	-40	-36	-30	1500
48F-02GYD5	-1.2	-16	-13.5	-11.5	-10	-35	-32	-30	-40	-36	-30	1500
48F-03GYD5	-1.2	-16	-13.5	-11.5	-10	-35	-32	-30	-40	-36	-30	1500
48F-04GYD5	-1.2	-16	-13.5	-11.5	-10	-35	-32	-30	-40	-36	-30	1500
48F-01ND5	-1.2	-16	-13.5	-11.5	-10	-35	-32	-30	-40	-36	-30	1500
48F-02ND5	-1.2	-16	-13.5	-11.5	-10	-35	-32	-30	-40	-36	-30	1500
48F-03ND5	-1.2	-16	-13.5	-11.5	-10	-35	-32	-30	-40	-36	-30	1500
48F-03ND5	-1.2	-16	-13.5	-11.5	-10	-35	-32	-30	-40	-36	-30	1500

Part Number:

48F- 10 GYD NW 2 NL
 A B C D E F

A:Series
 B:Schematics
 C:Led
 D:Mechanical
 E:Gold Plating:1=3u",2=6u",3=15u",4=30u"5=50u"
 F:RoHS Version

Mechanicals

Housing Material:

MATERIAL:NYLON GF (Fr50) UL94V-0
 STANDARD COLOR:BLACK

Insert Material:

MATERIAL:Phos-Bronze C5210 EH---0.35mm Thickness
 Insert -PBT GF UL94V-0
 1.PLATING(1) NICKEL
 2.PLATING(2) 100%Sn
 3.PLATING(3) GOLD (3u " ~ 50u ")

Plate Material:

PBT GF UL 94V-0

Contact pin Material:

MATERIAL: Phos-Bronze C5210 EH---0.35mm Thickness
 1.PLATING(1) NICKEL
 2.PLATING(2) 100%Sn

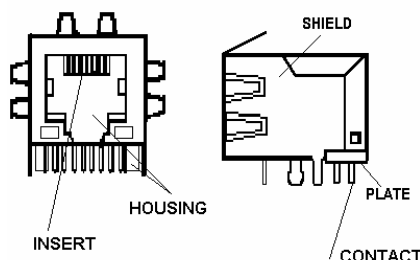
Shielding Material:

BRASS C2680 H.---0.25mm THICKNESS

Operating Life:750 Cycles MIN.

Environmental

- 1.Storage Temp:-40°C TO +85°C.
- 2.Operating Temp: 0°C TO +70°C.
- 3.Wave Soldering Temperature:230~250°C (3~5 SECONDS)
4. MATES WITH MODULAR PLUG CONFORMING TO FCC PART 68,SUBPART

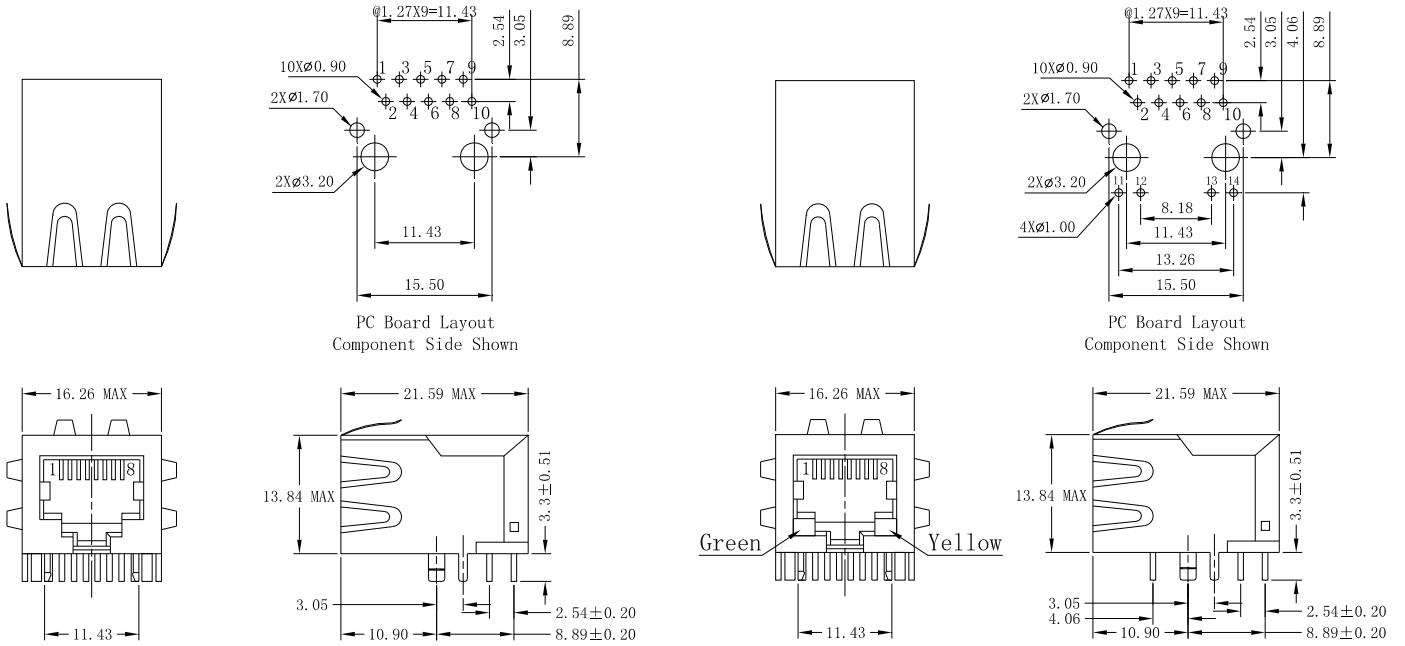




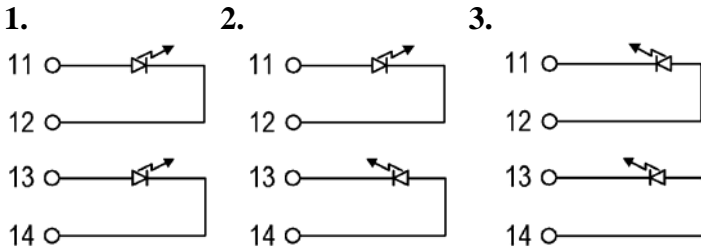
NO LED JACK

MARKINGS AND DIMENSION

LED JACK



Unit: mm Unless otherwise specified, all tolerances are ± 0.25



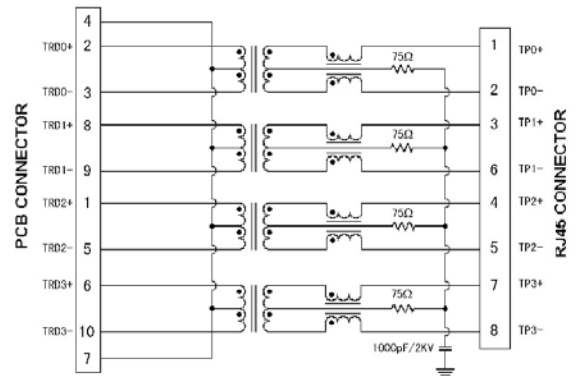
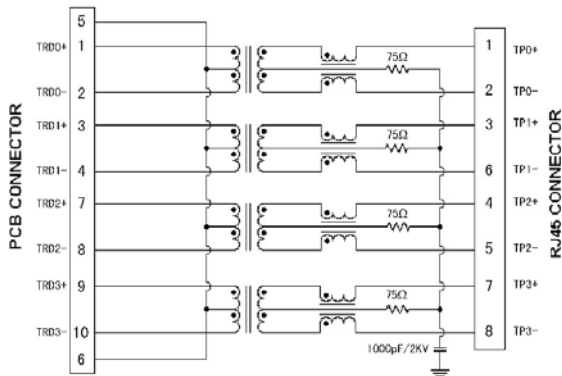
Standard LED	Wavelength	Forward* V(MAX)	(TYP)
Yellow	585 nm	2.5 V	2.1 V
Green	565 nm	2.5 V	2.2 V

* With a forward current of 20 mA

SCHEMATICS

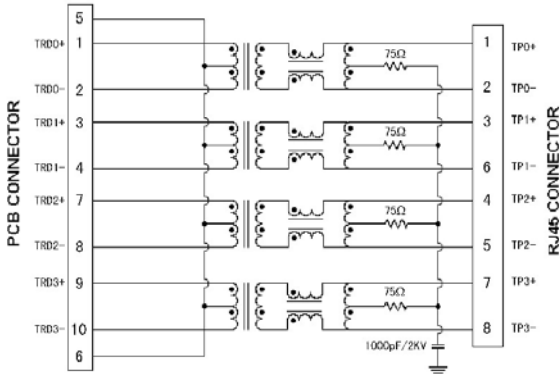
01

02

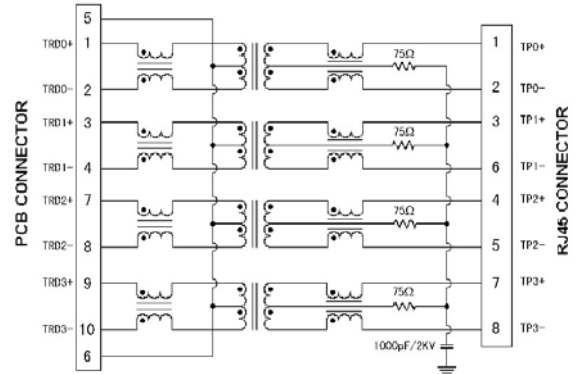




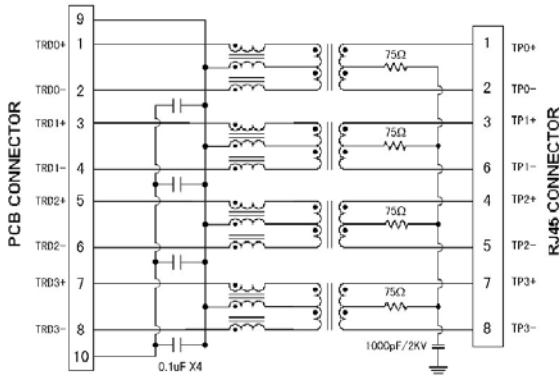
03



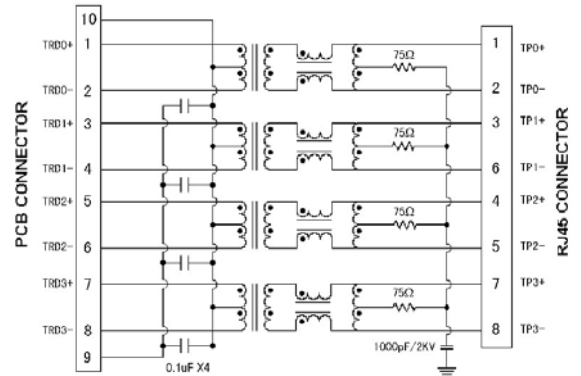
04



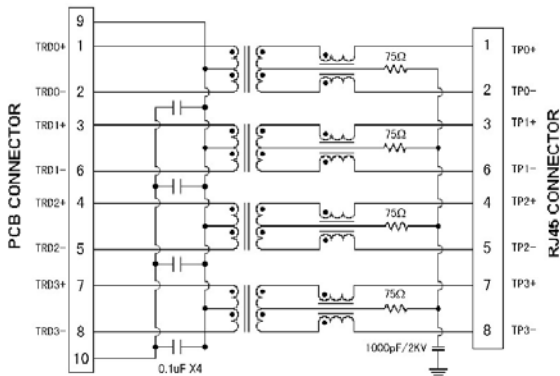
07



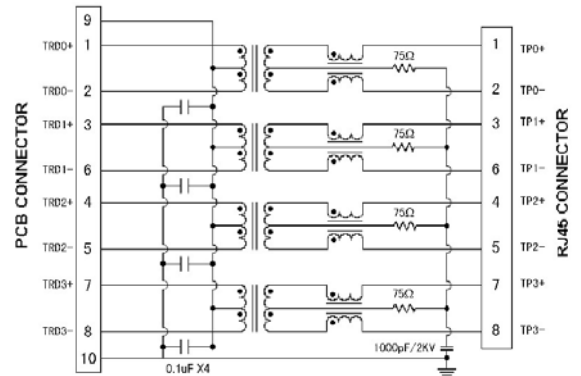
08



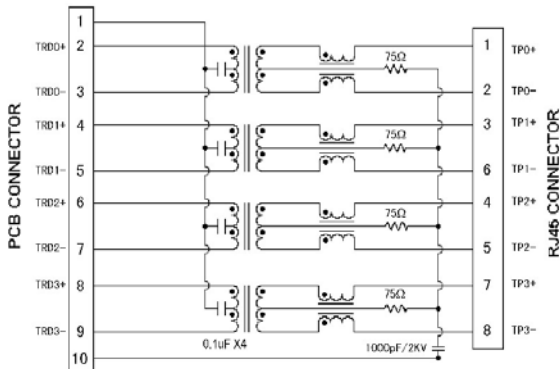
09



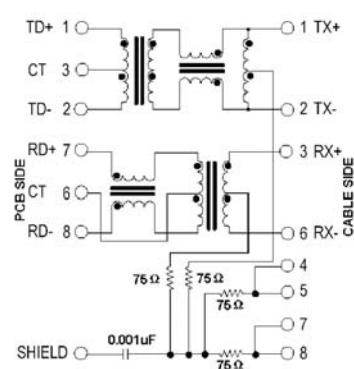
09A



10

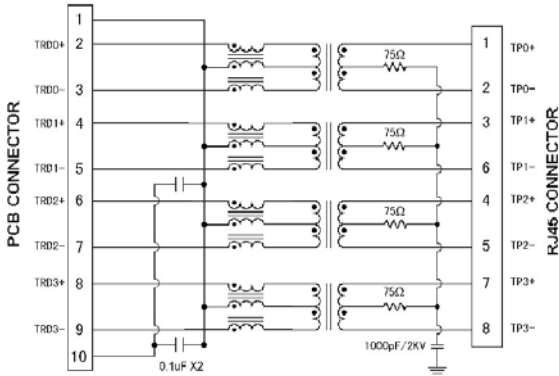


11

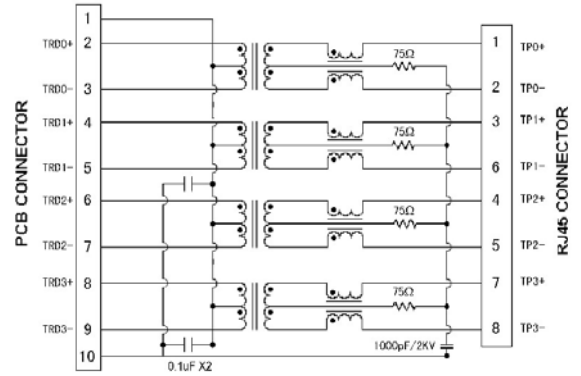




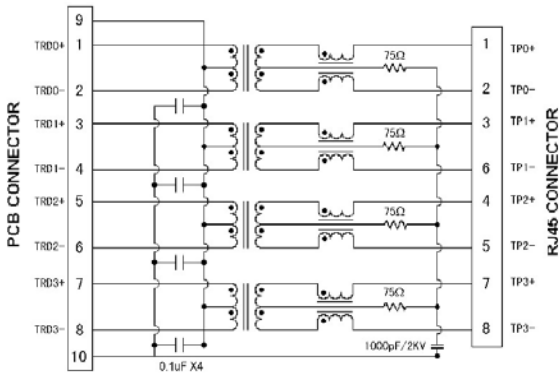
12



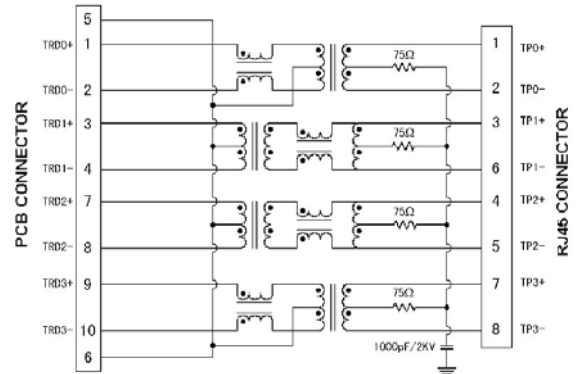
13



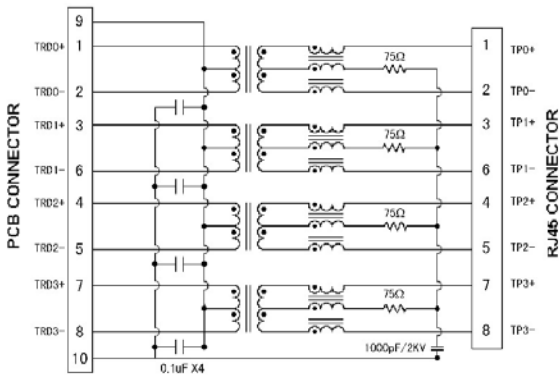
14



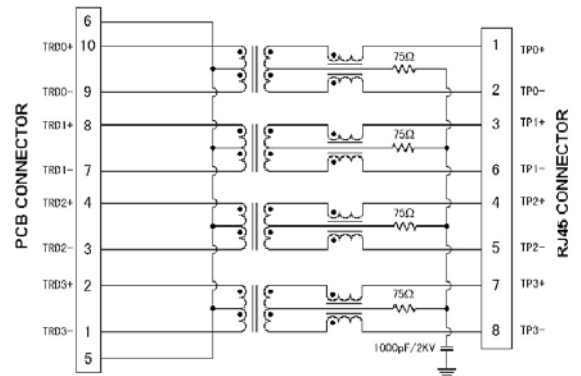
15



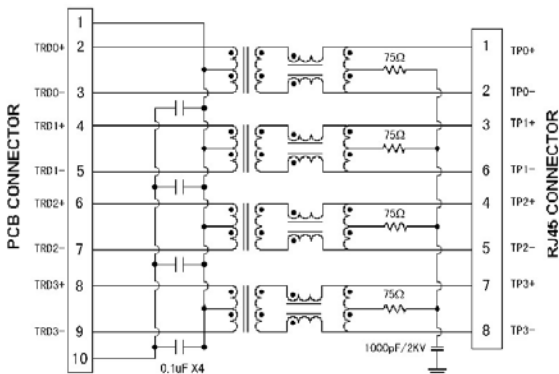
16



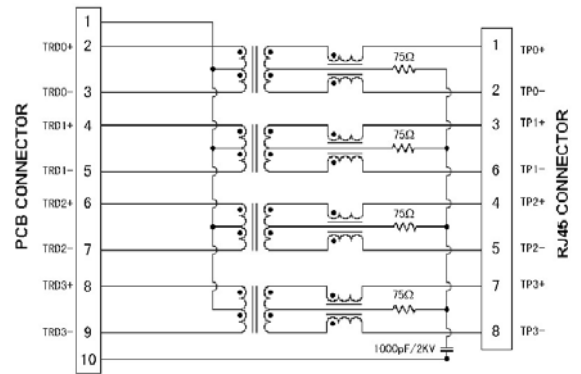
17



18

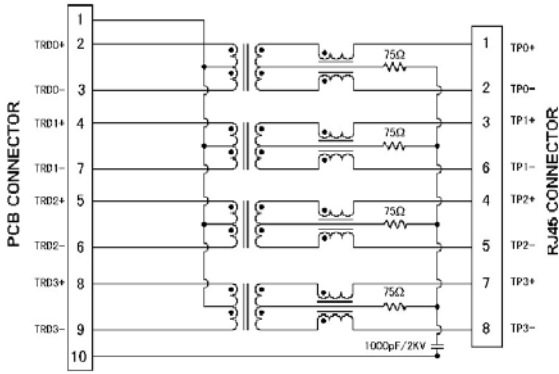


19

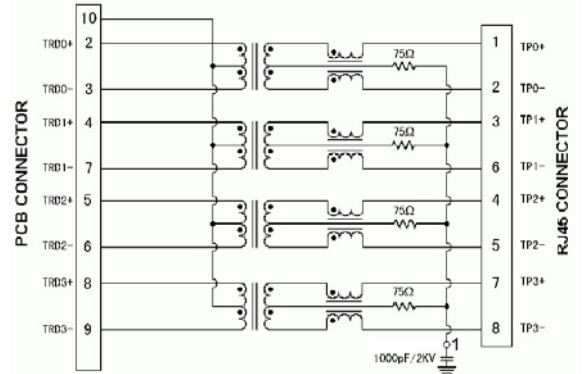




20



21



22

