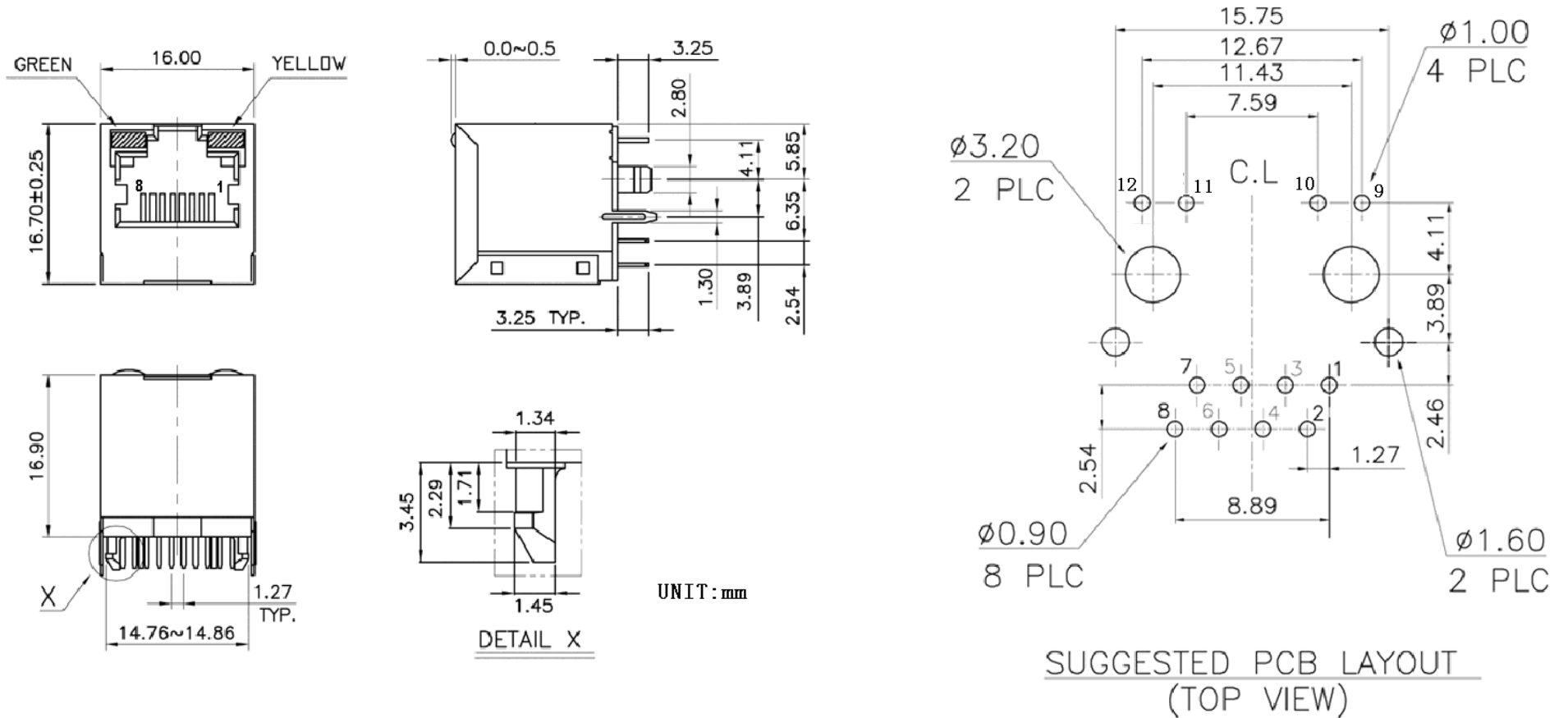


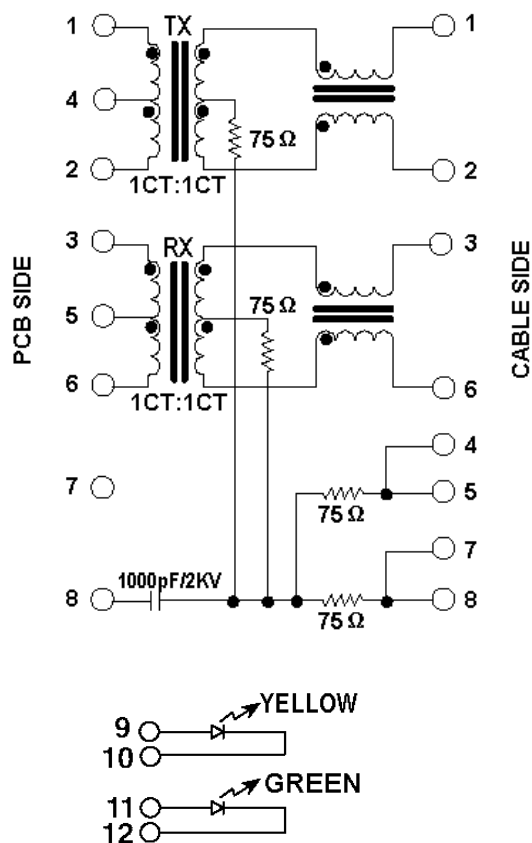
Mechanicals



元册科技股份有限公司
YUAN DEAN SCIENTIFIC CO., LTD.

TITLE	RJ45 JACK WITH MAGANETIC MODULE			P/N	51F-1202GYD2NL	DATE	2007/5/4
REV.	1.0	PAGE NO	1-2	AP'PD		DWN	MU QIN HUI

Schematics



ELECTRICAL SPECIFICATIONS@25°C:

Turns Ratio(±3%): TX&RX=1CT:1CT

OCL(100KHz/0.1V@8mA):350uH MIN

Insertion Loss (dB MAX): -1.0dB(0.3-100MHZ)

Return Loss(dB MIN):

-18dB(1-30MHZ);-16dB(40MHZ);-12dB(50MHZ); 10dB(60-80MHZ)

Crosstalk (dB MIN):

-40dB(30MHZ);-35dB(60MHZ);-30dB(100MHZ)

CMR(dB MIN): -30dB(30MHZ);-20dB(60MHZ);-20dB(100MHZ)

HI-POT:1500Vrms/0.5mA.

OPERATING TEMPERATURE:-40°C ~+85°C

RoHS compliance:YES

Part Number:

51F-1202GYDXNL

Lead Free

Gold Plating:1=3u",2=6u",3=15u",4=30u",5=50u"



元册科技股份有限公司
YUAN DEAN SCIENTIFIC CO., LTD.

TITLE	RJ45 JACK WITH MAGANETIC MODULE			P/N	51F-1202GYD2NL	DATE	2007/5/4
REV.	1.0	PAGE NO	2-2	AP'PD		DWN	MU QIN HUI