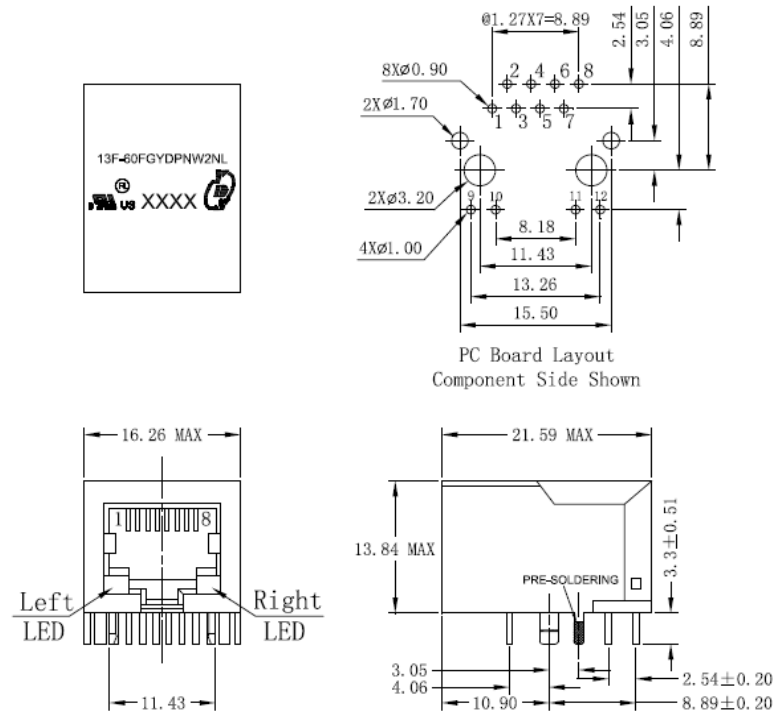


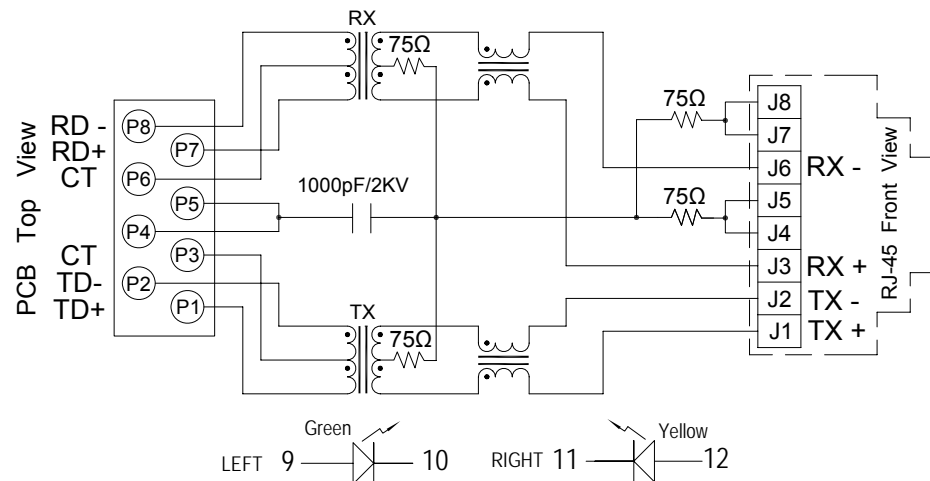
REV.	DESCRIPTION	DATE	DWN	AP'PD

## 一、Mechanicals Dimensions



UNIT:mm Unless otherwise specified, all tolerances are  $\pm 0.25$

## 二、Schematics



## 三、ELECTRICAL SPECIFICATIONS@25°C:

1. Turn Ratio( $\pm 2\%$ ): 1CT:1CT
2. Inductance(100KHz/0.1V@8mA): 350uH MIN
3. Insertion Loss(dB MAX): -1.0dB(0.3-100MHz)
4. Return Loss(dB MIN): -20dB(1-10MHz),-16dB(10-30MHz),-12dB(30-60MHz),  
-10dB(60-80MHz)
5. Cross talk(dB MIN): -40dB(1-30MHz),-35dB(30-60MHz),-30dB(60-100MHz)
6. CMR (dB MIN): -30dB(1-50MHz),-20dB(50-150MHz)
7. HI-POT:1500Vrms/0.5mA/60Sec or 1650Vrms/0.5mA/2Sec
8. Operating Temperature:-40°C TO +85°C
9. RoHS compliance:YES

Ref:BOM-AB65

	 元册科技股份有限公司 YUAN DEAN SCIENTIFIC CO., LTD.			
	TITLE		10/100 BASE-T SINGLE PORT RJ-45 JACK MAGNETICS	
	P/N	13F-60FGYDPNW2NL	REV.	0
	PAGE NO	1-4	DATE	2009-8-10
	AP'PD	Li YueSheng	DWN	Hu XiaoLan

## 四、Mechanicals

### Housing Material:

MATERIAL:NYLON GF (Fr50) UL94V-0 STANDARD COLOR:BLACK

### Insert Material:

MATERIAL:Phos-Bronze C5210 EH---0.35mm Thickness

Insert -PBT GF UL94V-0

1.PLATING(1) NICKEL

2.PLATING(2) 100%Sn

3.PLATING(3) GOLD (3u " ~50u " )

### Plate Material:

PBT GF UL 94V-0

### Contact pin Material:

MATERIAL: Phos-Bronze C5191---0.35mm Thickness

1.PLATING(1) NICKEL

2.PLATING(2) 100%Sn

### Shielding Material:

BRASS C2680 H.---0.25mm THICKNESS PLATING NICKEL

Operating Life:750 Cycles MIN.

## 五、Environmental

1.Storage Temp:-40°C TO +85°C.

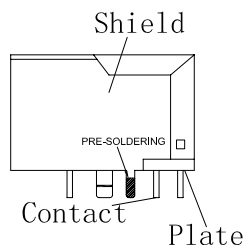
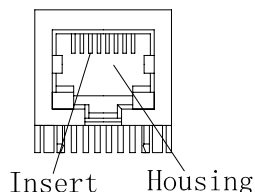
2.Operating Temp:-40°C TO +85°C

3. MATES WITH MODULAR PLUG CONFORMING TO FCC PART 68,SUBPARTF.

## 六、Part Number

13F-60FGYDPNWXNL

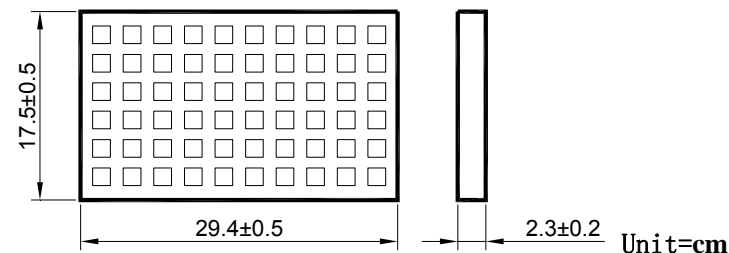
RoHS version  
Gold Plating:1=3u",2=6u",3=15u",4=30u",5=50u",



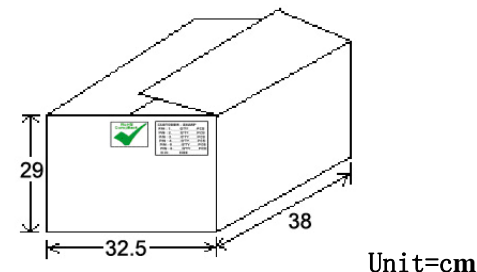
## 七、Packaging

1. packaging unit : 60 PCS/tray

2. packaging material : PET



3. outer carton unit: 1320 pcs/ 22 Trays/box

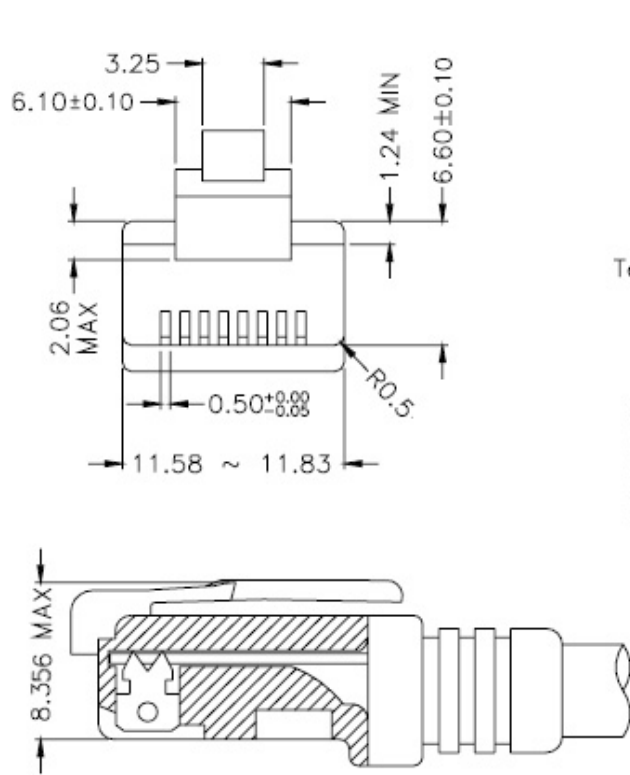


	元册科技股份有限公司 YUAN DEAN SCIENTIFIC CO., LTD.			
	TITLE	10/100 BASE-T SINGLE PORT RJ-45 JACK MAGNETICS		
	P/N	13F-60FGYDPNWXNL	REV.	0
	PAGE NO	2-4	DATE	2009-8-10
	AP'PD	Li YueSheng	DWN	Hu XiaoLan

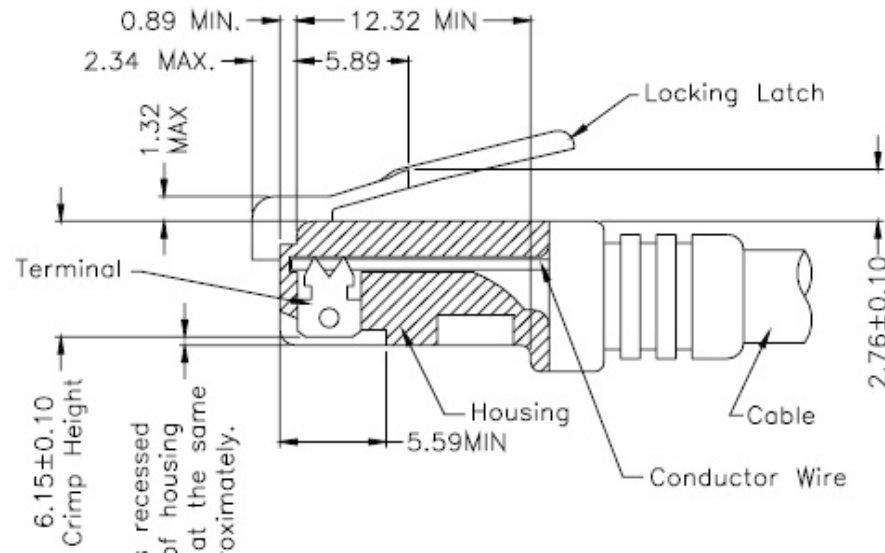
REV.	DESCRIPTION	DATE	DWN	AP'PD

# 八、RJ PLUG SPECIFICATION

REV.	DESCRIPTION	DATE	DWN	AP'PD



FOLLOW SPECIFICATION : FCC, PART 68, SUBPART F  
FIGURE 68.500 (C)(2)(ii)



All contacts recessed below top of housing and must be at the same height approximately.

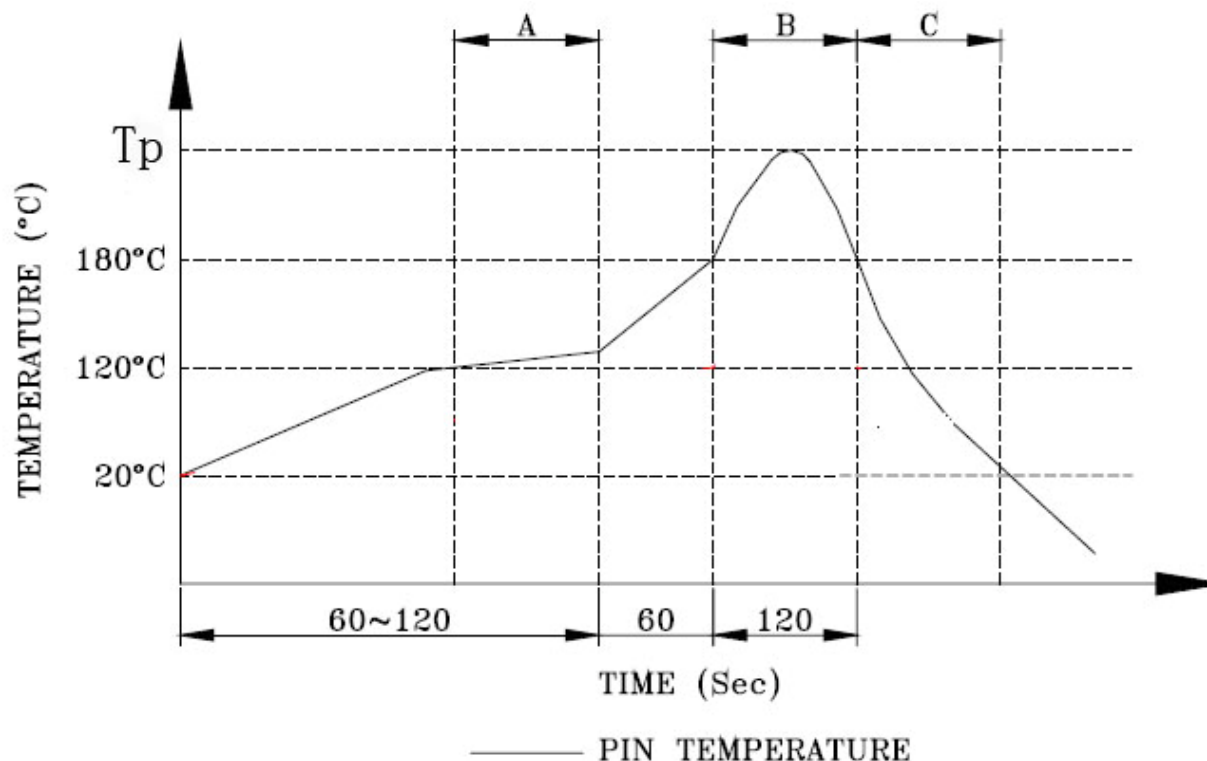
FOLLOW SPECIFICATION : FCC, PART 68, SUBPART F FIGURE 68.500 (C)(2)(i) AND IEC 603-7 FIGURE 23 & 24

STANDARD MODULAR PLUG ASSEMBLY

	 <b>元册科技股份有限公司</b> YUAN DEAN SCIENTIFIC CO., LTD.			
	TITLE		10/100 BASE-T SINGLE PORT RJ-45 JACK MAGNETICS	
	P/N	13F-60FGYDPNW2NL	REV.	0
	PAGE NO	3-4	DATE	2009-8-10
	AP'PD	Li YueSheng	DWN	Hu XiaoLan

# 九、PROFILE OF WAVE SOLDER

REV.	DESCRIPTION	DATE	DWN	AP'PD



A. Preheating    B. Soldering    C. Gradual Cooling

## SUGGESTED WAVE SOLDER CURVER

1. Peak temperature( $T_p$ ) :  $250 \pm 10^\circ\text{C}$
2. Peak temperature( $T_p$ ) time : 5sec max



元册科技股份有限公司

YUAN DEAN SCIENTIFIC CO., LTD.

TITLE	10/100 BASE-T SINGLE PORT RJ-45 JACK MAGNETICS		
P/N	13F-60FGYDPNW2NL	REV.	0
PAGE NO	4-4	DATE	2009-8-10
AP'PD	Li YueSheng	DWN	Hu XiaoLan